



HONGYAO Lighting

Specification Sheet

- LED SURFACE MOUNT DOWNLIGHT -
(3 CCT Tunable)



Zhejiang Hongyao Lighting Electrical Co., Ltd

No.209 Shennan Rd. Da Yang Jie Dao, Linhai City. Zhejiang China 317000 www.chongyao.com
Trading@chongyao.com Tel: +86 576-85381918 Fax:+86 576-85381913



SPECIFICATIONS

FEATURE

- Featuring tunable White Color Temperature: 3000K,4000K and 5000K
- Body: polycarbonate engineering plastic, not easy to aging discoloration
- Diffusers:High light transmittance polycarbonate
- The LED fixture is Triac dimming
- High luminous efficiency, good color
- WARRANTY--5-year limited warranty



APPLICATION

- drawing room,bedroom,corridor , administration office and business premises

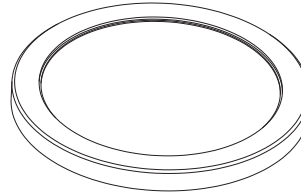
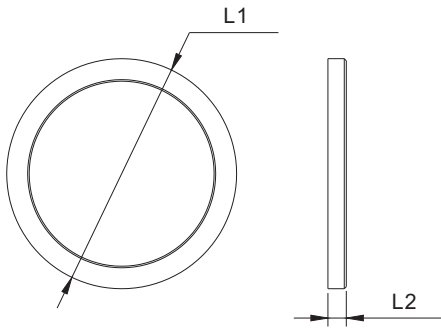
SPECIFICATIONS

Model No.	HY -SMD-R5-9W-3CCT	HY -SMD-R7-12W-3CCT	HY -SMD-R9-18W-3CCT	HY -SMD-R12-240W-
Power:	9W	12W	18W	24W
Size:	5"	7"	9"	12"
Input Voltage:	120 VAC			
Lumens	720LM	960LM	1440LM	1920LM
Dimming	Triac dimming			
Protection Rating	IP20 (For Indoor Use Only)			
Beam Angle	120°			
CCT:	3CCT Tunable (3000K/4000K/5000K)			
CRI:	>80			
Working Life:	Lumen Maintenance over 70% @ 50,000+ Hours			
Oper. Temperature	-13°F ~+113°F / -25°C ~+45°C			
Certification	ETL			

PRODUCT DIMENSIONS

Front View

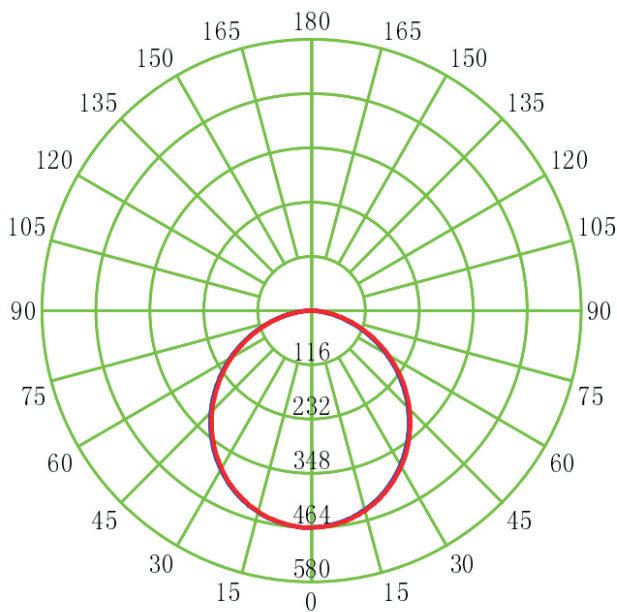
Side View



Model No. Size	HY-SMD-R5-9W-3CCT	HY-SMD-R7-12W-3CCT	HY-SMD-R9-18W-3CCT	HY-SMD-R12-24W-3CCT
L1	Φ 140mm/Φ 5.51"	Φ 180mm/Φ 7.09"	Φ 225mm/Φ 8.86"	Φ 305mm/Φ 12.01"
L2	18mm/0.71"	18mm/0.71"	18mm/0.71"	18mm/0.71"

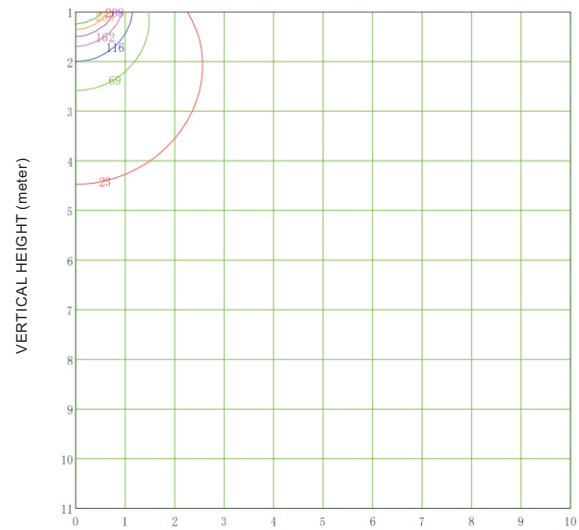
PHOTOMETRIC REPORT
9" LIGHT

LUMINOUS INTENSITY DISTRIBUTION DIAGRAM



— C0-C180 — C90-C270

VERTICAL EQUILUMINOUS CURVE



HORIZONTAL DISTANCE (meter)

MINIMUM ALTITUDE 1.0 M
 MAXIMUM ALTITUDE 11.0 M
 MAXIMUM ILLUMINATION 463.3 lx

— (5%): 23.2 lx — (15%): 69.5 lx
 — (25%): 115.8 lx — (35%): 162.1 lx
 — (45%): 208.5 lx — (55%): 254.8 lx
 — (65%): 301.1 lx

**ORDERING GUIDE**

Package Information				
Model No.	HY -SMD-R5-9W-3CCT	HY -SMD-R7-12W-3CCT	HY -SMD-R9-18W-3CCT	HY -SMD-R12-24W-3CCT
Size	5"	7"	9"	12"
Qty/Pack	30PCS	30PCS	20PCS	10PCS
Package Size	470X155X325mm	580X155X400mm	480X290X250mm	325X290X330mm
	18.5"X6.1"X12.8"	22.8"X6.1"X15.8"	18.9"X11.4"X9.8"	12.8"X11.4"X13"
Package Weight	8.2kg/ 18.1lbs	12.2kg/ 26.9lbs	11.7kg/25.8 lbs	10.1kg/ 22.3lbs
Package CBM	0.023676	0.03596	0.0348	0.031103

ORDERING CODE DEFINITION

Company Code	Product	Size	Watt	3CCT
HY	SMD: LED SURFACE DOWN LIGHT	R5: 5" R7: 7" R9: 9" R12: 12"	9W 12W 18W 24W	3CCT Tunable 3000K /4000K/5000K

WARNING

Failure to install and wire fixture in accordance with the National Electrical Codes(NEC), all applicable Federal, State and Local electrical codes, as well as specific U.L. Safety standards for the intended working environment (location/application), may cause serious personal injury, death and or property damage. This product must be installed by a person familiar with the construction and operation of the product and the hazards involved.

For 120V 60Hz use only. Risk of fire and electrical shock, most dwellings built before 1985 have supply wires rated 60C. Consult a qualified electrician before installing. IF supply wires are located within 3 inches of the ballast, use wires rated at least 90°C.

The LED fixture is Triac dimming

- CAUTION:

TURN OFF POWER FROM THE MAIN CIRCUIT BEFORE INSTALLING FIXTURE. Make sure fixture is grounded per National Electrical Codes(ec). This fixture is suitable for damp locations.

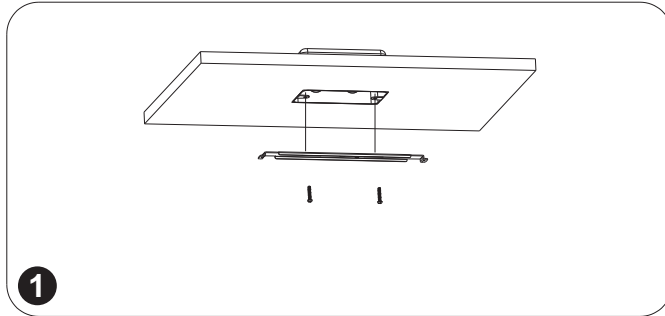
- IMPORTANT NOTE:

The safe guards and instructions appearing in the page are not meant to cover all possible conditions and situations that may occur. It may be understood that common sense, cautions and care are factors which cannot be built into any product, The person(s) installing, operation and responsible for the light fixture, must execute. these factors.

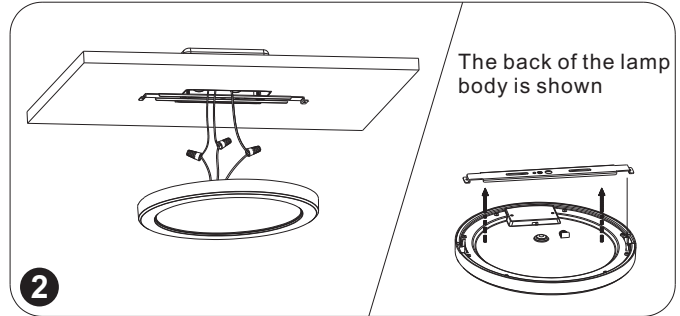
Zhejiang Hongyao Lighting Electrical Co., Ltd

INSTALLATION INSTRUCTION

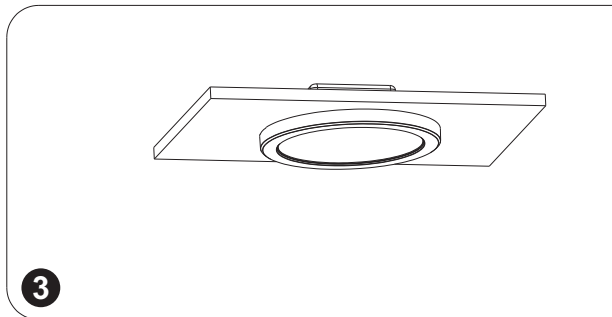
STEPS



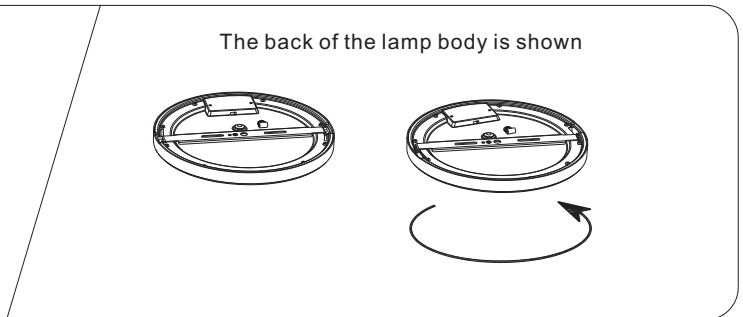
1. Fixing bracket on terminal box



2. Wiring and color temperature adjustment (see operation guide)

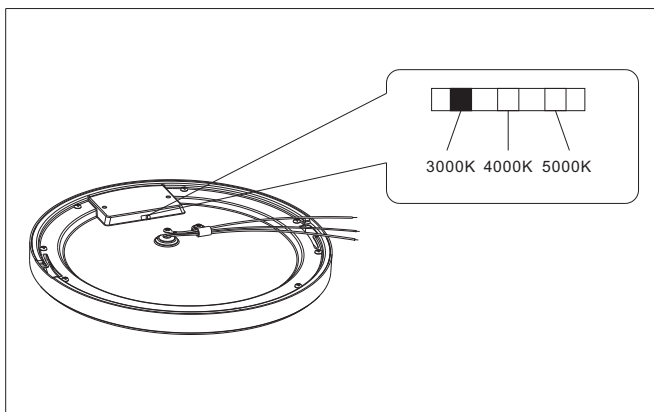


3. Fixing the lamp body on bracket and fix tightly

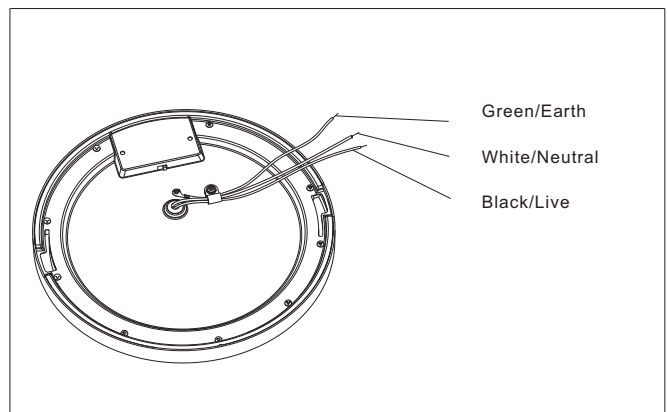


OPERATING GUIDE

1 CCT Adjustable



2 Wiring Guide



Accessories bag includes:

